

VIZULO



MUSTANG

2017

CE RoHS

KEMA
KEUR

EN
05

ABOUT

Residential Street/Area, Architectural & Landscape, Sports Lighting, Large Outdoor Industrial Area - Agricultural Area - Airport fields

Ventilation plug

Pressure equalization. It ensures high air flow rates as well as high water protection capacity

Glass

Flat glass. Glass is fixed to die-cast aluminium frame with metal clips and can be easily replaced

LED module

High quality LED's with optimal thermal resistance and energy consumption characteristic, for high lumen output and long expected life time. Color temperature available: 3000K, 4000K

(5000K, 5700K available on customer request)

Intelligent light control system

Radio frequency

Protection

IP66 for the complete luminaire



Module temperature control

The LED driver will start reducing the light output when the LED's approach critical temperature. The temperature is measured via a sensor placed on the PCB (function available on customer request)

Body

Die-cast aluminium

Lighting protection

Built-in surge protection 10 kV

Light regulation

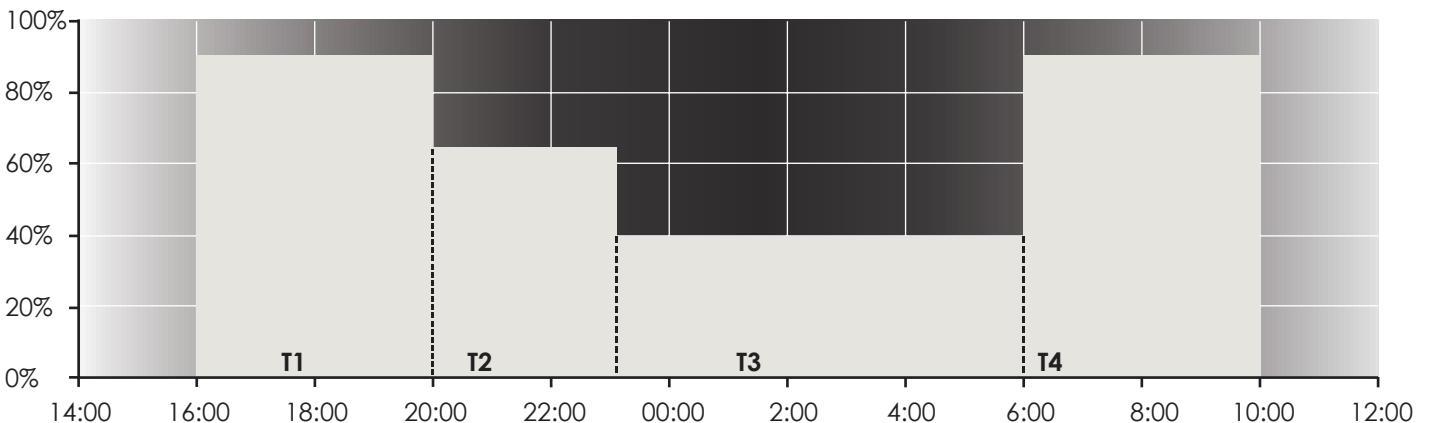
MUSTANG drivers offer integrated midnight dimming and network-controlled 1-10V and DALI protocols

Opening

Die-cast aluminium clips for tool-less opening and closing, fixed to the frame with stainless steel spring for easy maintenance

MIDNIGHT DIMMING

Integrated midnight dimming lighting control allows pre-programmed multi-level dimming. Lower light levels during off-peak hours, gives considerable savings in energy cost.



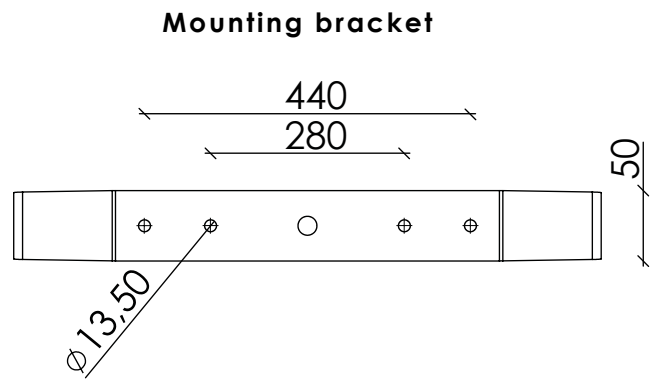
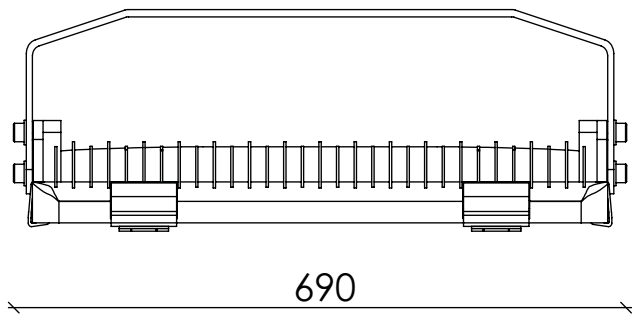
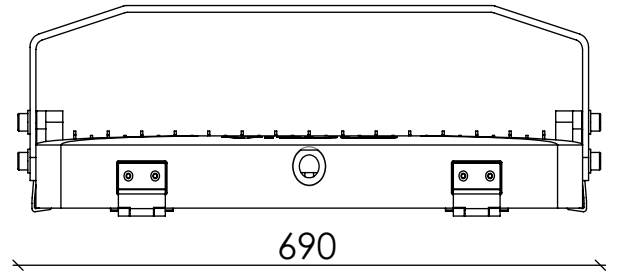
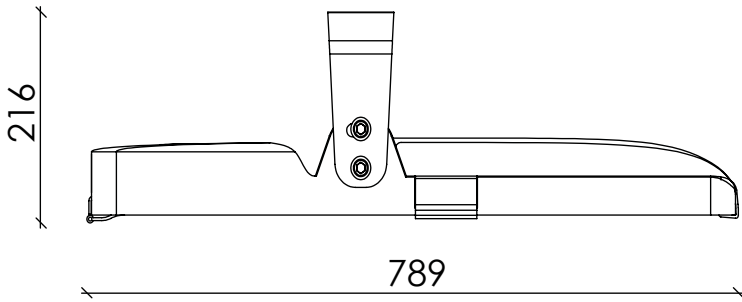


COLOR OPTIONS

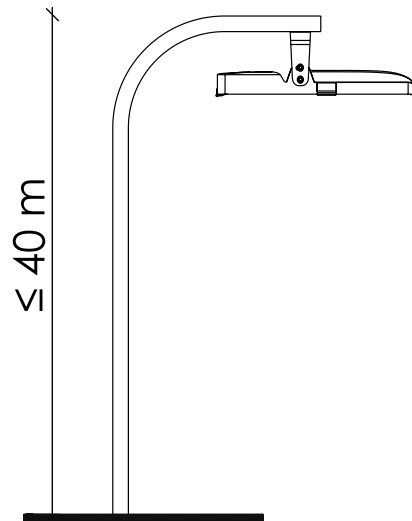


OTHER COLORS
AVAILABLE ON REQUEST

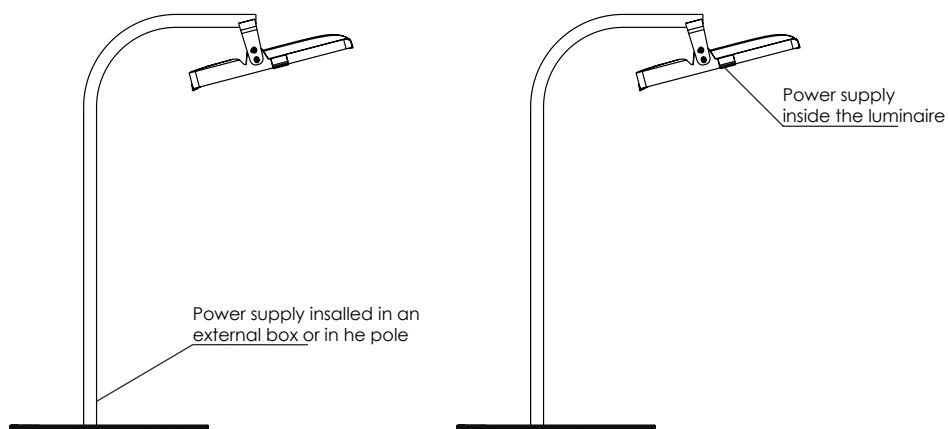
DIMENSIONS



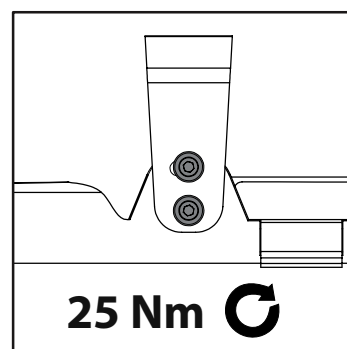
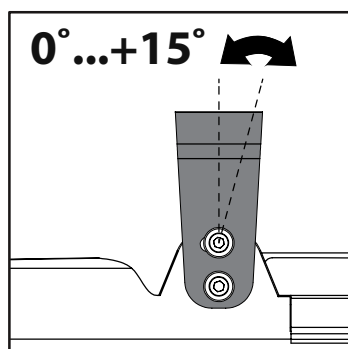
CONSOLE DIMENSIONS



POWER SUPPLY POSITION POSSIBILITIES



ANGLE POSITION DIMENSIONS



TECHNICAL INFORMATION

STANDARD MODULES

Voltage, V	220-240					
Frequency, Hz	50-60					
	4000 K					
Number of LED's	264			352		
Nominal current, mA	350	500	700	350	500	700
Power, W	275	390	525	365	518	700
Luminous Flux, Lm	38740	52950	68070	51390	70310	90540
Efficacy, Lm/W	141	136	130	141	136	129
Power factor, PF	0,96	0,97	0,98	0,96	0,97	0,98
Color temperature, K	3000/4000/5000/5700					
Working temperature, °C	-40°C to +50°C					
CRI	Ra>70 ⁽¹⁾					
Protection class	IP66					
Safety class	I and II					
Intelligent light control system	Radio frequency ⁽²⁾					
Body material	Die-cast aluminum					
Dimming	1-10V, DALI, Midnight dimming					
Surge protection, kV	6; 10 kV (optional) ⁽³⁾					
Guarantee, years	5					
Service Life, h	100 000 h (L90B10C10) ⁽⁴⁾					
Luminaire efficacy	3000 K	275 - 700 W		37490 - 87620 lm	125 - 136 lm/W	
	4000 K	275 - 700 W		38740 - 90540 lm	129 - 141 lm/W	
	5000 K	275 - 700 W		39990 - 93460 lm	134 - 145 lm/W	

1) Luminaires with color rendering index (CRI): Ra > 80 are available according to customers special orders

2) Optional. Available only with DALI ; 1 - 10 V

3) 10 kV (L-N; L/N-PE) surge protection device available on request

4) at Ta=25°, this value is only informative and may change according to selected article.

TECHNICAL INFORMATION

CUSTOM MODULES

Voltage, V 220-240
Frequency, Hz 50-60

	4000 K						
	72			96			
Number of LED's	72			96			
Nominal current, mA	350	500	700	350	430	520	580
Power, W	300	400	500	400	500	600	675
Luminous Flux, Lm	34449	43792	51875	45820	55294	63654	69087
Efficacy, Lm/W	114	109	103	114	110	106	102
Power factor, PF	0,97	0,98	0,99	0,97	0,98	0,99	0,99
Color temperature, K	3000/4000/5000/5700						
Working temperature, °C	-40°C to +50°C						
CRI	Ra>70 ⁽¹⁾						
Protection class	IP66						
Safety class	I and II						
Intelligent light control system	Radio frequency ⁽²⁾						
Body material	Die-cast aluminum						
Dimming	1-10V, DALI, Midnight dimming						
Surge protection, kV	6; 10 kV (optional) ⁽³⁾						
Guarantee, years	5						
Service Life, h	100 000 h (L90B10C10) ⁽⁴⁾						
Luminaire efficacy	72 LED	5000 K		300 - 500 W	37570 - 56980 lm		114 - 125 lm/W
	96 LED	5000 K		400 - 675 W	49870 - 76240 lm		113 - 125 lm/W

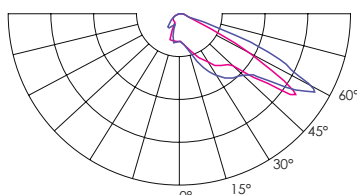
1) Luminaires with color rendering index (CRI): Ra > 80 are available according to customers special orders

2) Optional. Available only with DALI ; 1 - 10 V

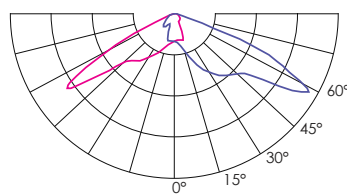
3) 10 kV (L-N; L/N-PE) surge protection device available on request

4) at Ta=25°, this value is only informative and may change according to selected article.

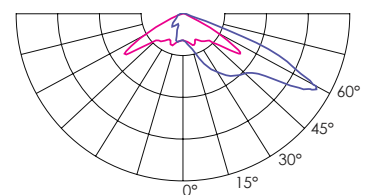
CUSTOM OPTICS



Asymmetric right



Asymmetric left

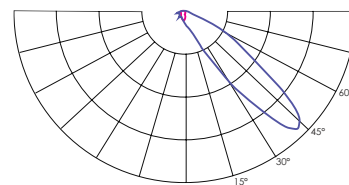
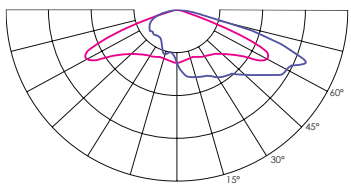
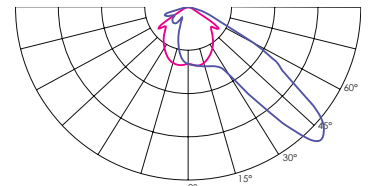
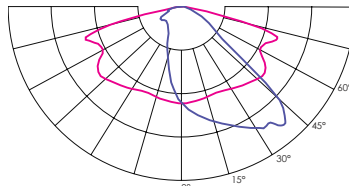
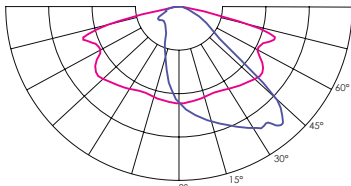


Asymmetric front

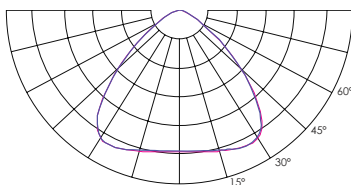
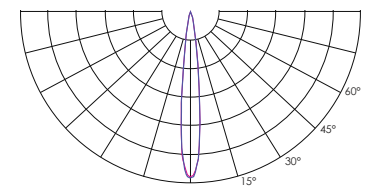
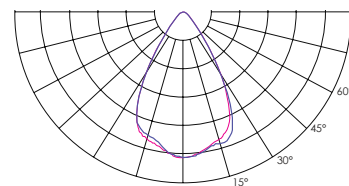
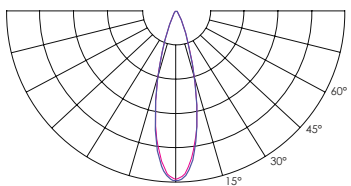
Last modified
2017, 1 June
 Data subject to change

OPTICS

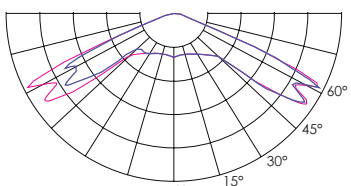
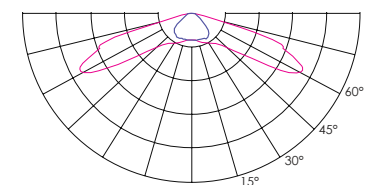
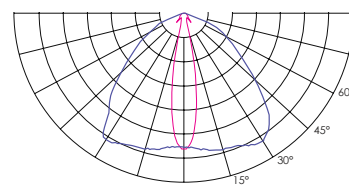
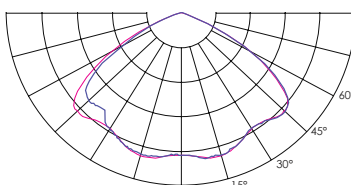
ASYMMETRIC



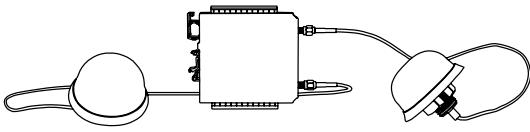
ROTSYMMETRIC



SYMMETRIC



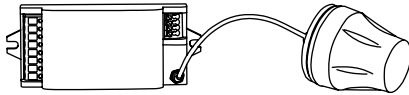
ACCESSORIES



Citintelly Segment controller

Segment Controller receives commands from Citintelly server via GSM and transmits tasks to Luminaire Controller via radio frequency communication.

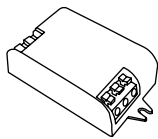
Art. 70000101



Citintelly Luminaire controller

Luminaire Controller is wireless mesh-networking device that uses 868 MHz for communication with Segment Controller and other Luminaire Controllers. It is delivered in various configurations to meet the needs of your applications.

Art. 7000103



Citintelly Surge Protection device

Surge Protection device offers protection against lighting surges;

Voltage Protection level up (L-N) $\leq 1,5$ kV

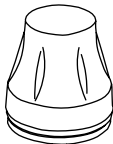
Voltage Protection level up (L/N-PE) $\leq 1,8$ kV

$U_{oc} = 10$ kV

$I_{max} = 10$ kA

$I_{nom} = 5$ kA

Art.70020001



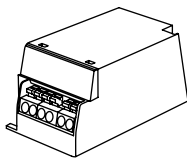
Radio Frequency Antenna

Heavy duty IP67 enclosure

Mounted in cabinet or luminaire body with 14 mm screw

SMA connector

Art.70000108



Surge Protection device

Surge Protection device offers protection against lighting surges;

Voltage Protection level up (L-N) $\leq 1,5$ kV

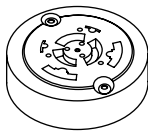
Voltage Protection level up (L/N-PE) $\leq 2,0$ kV

$U_{oc} = 10$ kV

$I_{max} = 10$ kA

$I_{nom} = 5$ kA

Art.70000203



NEMA Socket

2213362-3, 5 pin NEMA socket 105°C wires

Art. 70000362

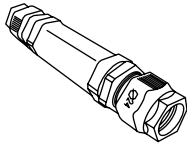
2213362-4, 7 pin NEMA socket 105°C wires

Art. 70000333



Dummy Link for NEMA Socket

Art. 70000113

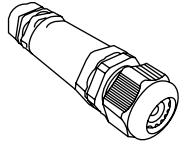


Connector

10m cable with IP66 rated connector offers easy installation of the street luminaires.

3 wire cable connector

Art.70000313

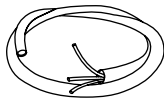


Connector

10m cable with IP66 rated connector offers easy installation of the street luminaires.

5 wire cable connector

Art.70000315



Pre-installed cable sets

Pre-installed cables sets in the luminaire

Diameter of the cable:

3 x 1,5 mm - 0,5 m lenght Art. 70000319

3 x 1,5 mm - 5 m lenght Art. 70000320

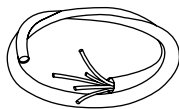
3 x 1,5 mm - 6 m lenght Art. 70000321

3 x 1,5 mm - 8 m lenght Art. 70000322

3 x 1,5 mm - 10 m lenght Art. 70000323

3 x 1,5 mm - 12 m lenght Art. 70000324

3 x 1,5 mm - 18 m lenght Art. 70000325



Pre-installed cable sets

Pre-installed cables sets in the luminaire

Diameter of the cable:

5 x 1,5 mm - 0,5 m lenght Art. 70000305

5 x 1,5 mm - 5 m lenght Art. 70000316

5 x 1,5 mm - 6 m lenght Art. 70000317

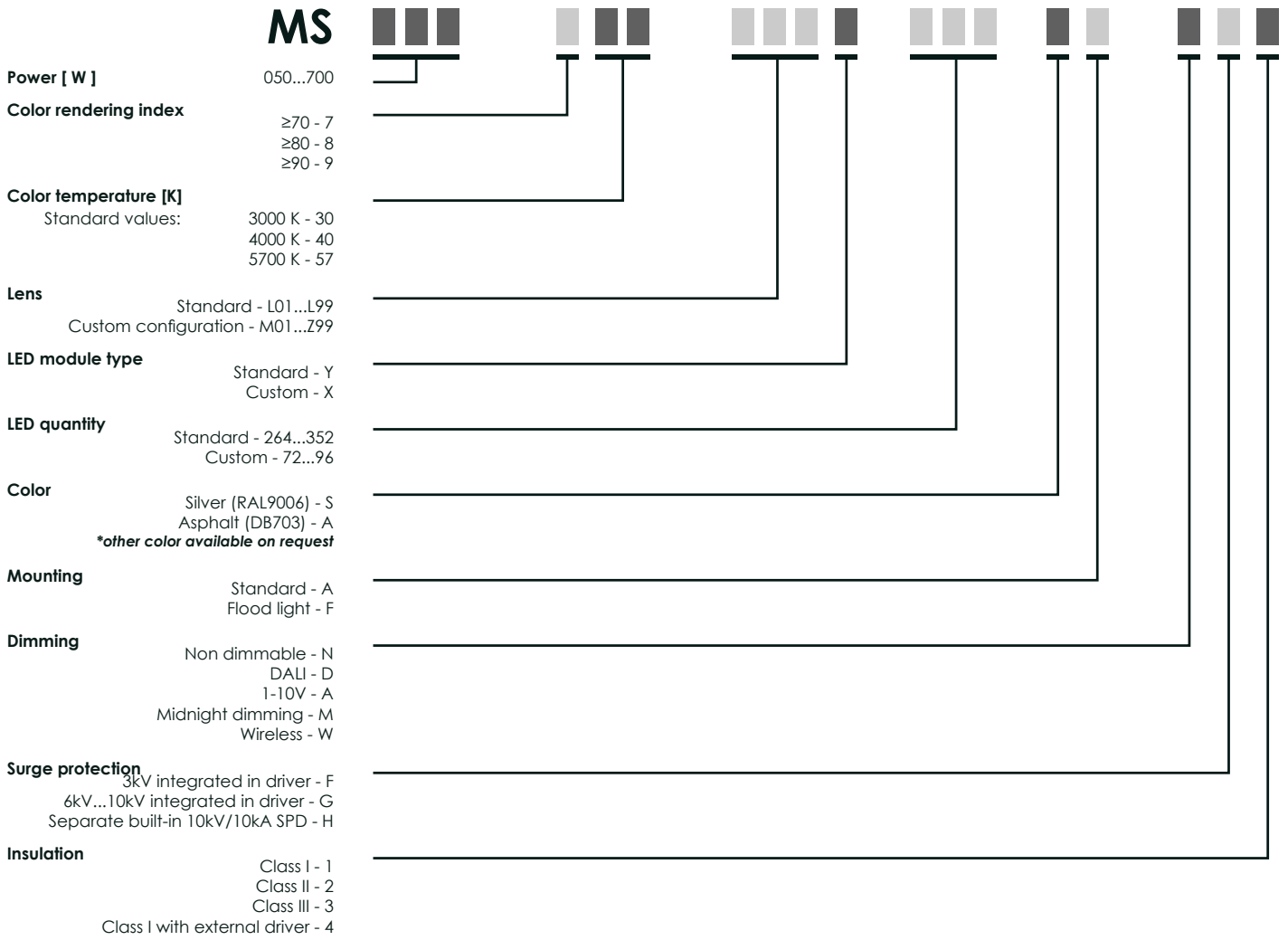
5 x 1,5 mm - 8 m lenght Art. 70000318

5 x 1,5 mm - 10 m lenght Art. 70000306

5 x 1,5 mm - 12 m lenght Art. 70000307

5 x 1,5 mm - 18 m lenght Art. 70000308

MODEL NAME PRINCIPLES



* OTHER CODES CAN BE GENERATED AFTER CUSTOMER REQUEST!