

VIZULO



INTERIOR
2017 SPRING/SUMMER

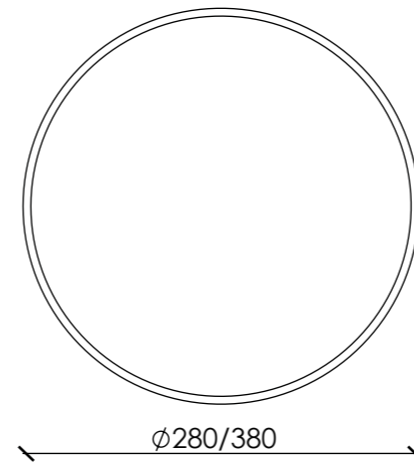
SUNFLOWER

SURFACE / PENDANT

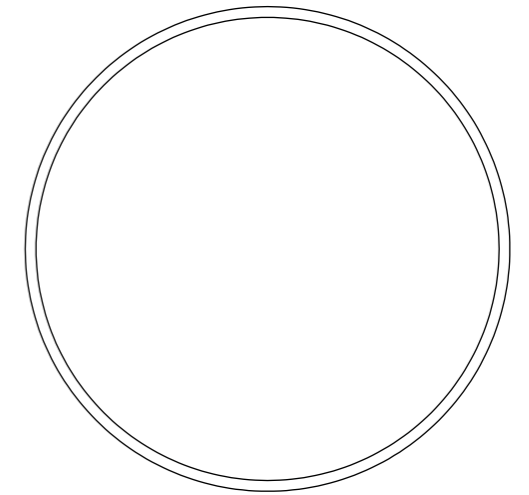


SUNFLOWER

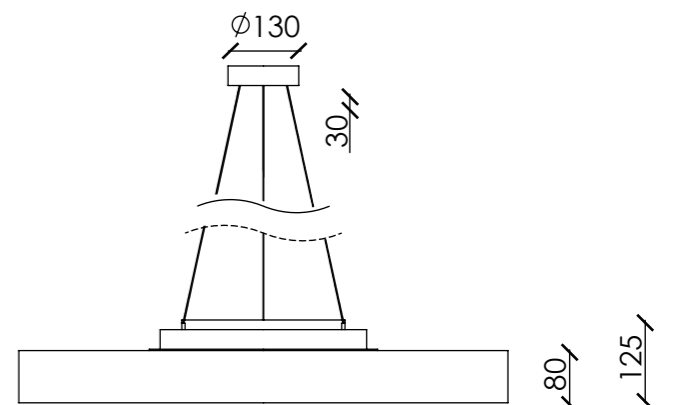
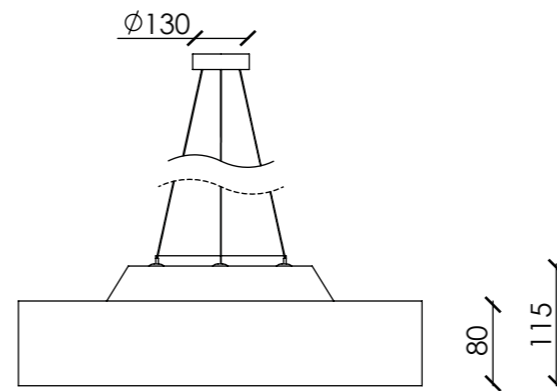
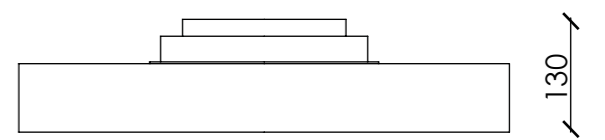
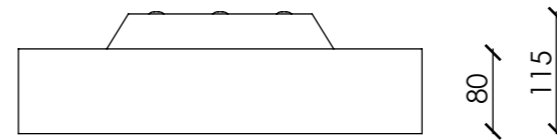
SURFACE / PENDANT

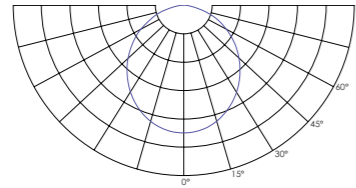


Ø280/380

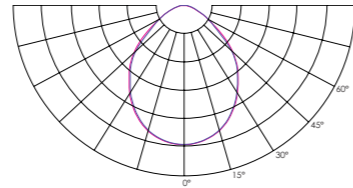


Ø 600/900/1200





Opal



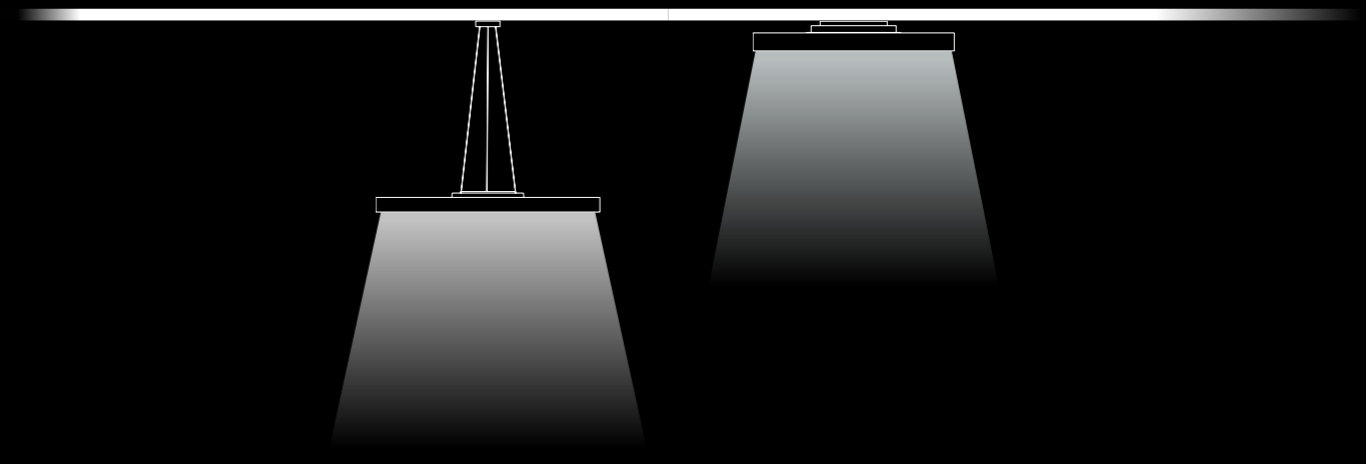
Microprismatic

— C0 - C180
— C90 - C270

3000/4000K
 CRI 80+ / 90+
 MacAdam: 3
 10 W /20 W /50 W /100 W
 Non-dim /DALI
 Body: aluminium profile, sheet steel
 Body color: grey /white
 Mounting: surface /pendant
 Cover type: microprismatic /opal
 Ambient temperature: +10 ... +35 °C
 Class: I
 Ingress protection: IP20

Life time >50 000h
 non-dim /DALI

10 W /967 lm
 20 W /2090 lm
 50 W /5526 lm
 100 W /11600 lm



SF

Power [W]	008...100	
Color rendering index	≥80 - 8 ≥90 - 9	
Color temperature [K]	3000 K - 30 4000 K - 40	
Mounting	Suspended - S Surface - F	
Shape	Round - R Square - S	
Size [cm]	028...120	
Color	White - W Grey - G	
Cover	Opal - O Microprismatic - U	
Dimming	Non dimmable - N DALI - D	
Emergency	No emergency - 0 1 hour - 1 3 hours - 3	
Insulation class	Class I - 1	



Dental clinic, Dresden, Germany



Bank, Haparanda, Sweden

CONTACTS

VIZULO

Mukusalas street 41
Riga, LV – 1004, Latvia

Phone: + 371 67 383 024

Fax: + 371 67 383 023

office@vizulo.com

