

LED PAR38 Outdoor

140W equivalent



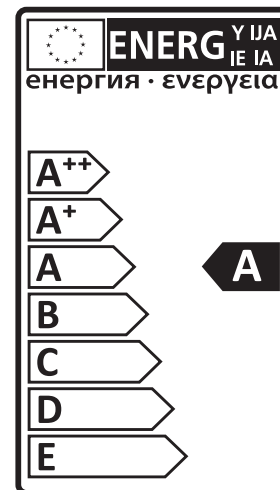
DATA SHEET

Product information

GE's LED PAR range combines a high intensity spotlight beam with substantial energy savings. The 140W equivalent PAR38 design with 2300 candela and with 25k lifetime offers significant reduction to maintenance cost by sharply reducing replacement frequency.

Features & benefits

- "A" Energy Class
- 1300 total lumens
- 25,000 Life hours at L70
- Available in and 3000K
- PAR38 lamps are suitable for wet location use (IP65)
- Retrofit



Application areas



Retail



Hospitality



Residential

Compliance

- EN 55015 Limits and methods of measurement of radio disturbance characteristics of electrical lighting
- EN 61547 Equipment for general lighting purposed EMC immunity requirements
- EN 61000-3-2 Limits for harmonic current emissions (equipment rated current $\leq 16A$)
- EN 61000-3-3 Limitation of voltage fluctuations and flicker in low voltage supply systems (equipment rated current $\leq 16A$)
- IEC 62471 Photo biological safety of lamps and lamp systems
- EN 62560 Self-ballasted lamps for general lighting services by voltage $> 50V$ - safety specification
- EN 62493 Assessment of lighting equipment related to human exposure to electromagnetic fields



GE imagination at work

Specifications

Type	Rated Power [W]	Base	CCT [K]	DIM2 Lumen [lm]	Total Lumens [lm]	Rated Angle	CBCP	Life L70 [hrs]	EEC	Energy Consumption [kwh/100h]	Pack Qty	Product Code
PAR38	15	E27	3000	1200	1300	40	2300	25,000	A	15.00	1/6	93044739
PAR38	15	E27	3000	1200	1300	40	2300	25,000	A	15.00	1/6	93013421

Common attributes

- Colour Rendering Index >81
- Input Voltage: 90-240V
- Warm up time: Instant on
- Switching Cycles: 40,000
- Power factor: >0.9

Recommended operation temperature

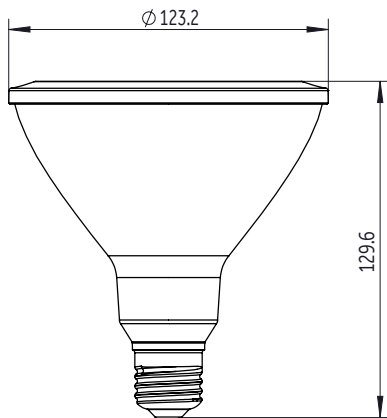
Ambient temperature range -20°C to 40°C.



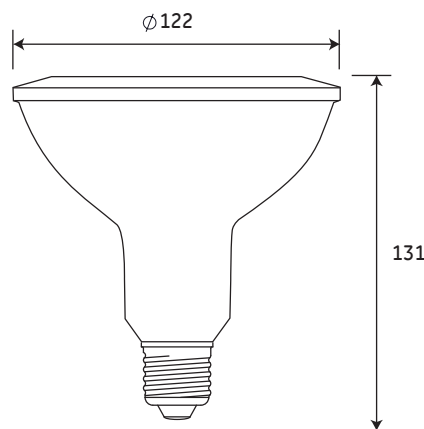
PAR38 Desired outputs

Ths Max for L70	74°C
Ths Max for B50	74°C

Dimensions [mm]



93044739



93013421

Operation and maintenance

- Store and use the lamps the same way as traditional halogen or incandescent lamps.
- Lamp and lamp holder should be kept free from contamination.
- Do not use if the bulb is broken.
- Ensure lamp is cool before removing.
- This LED PAR38 replacement is non-dimmable lamp