

VIZULO



SHELL

2017

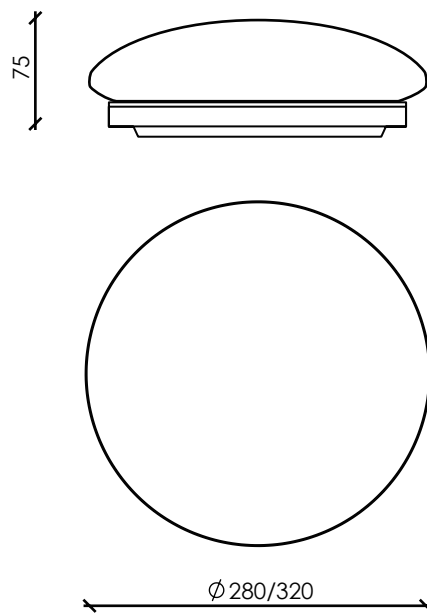
CE RoHS



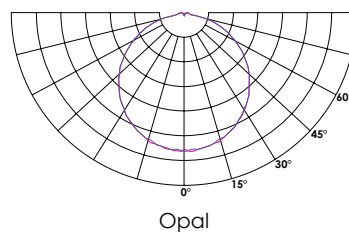
## COLOR OPTIONS

RAL9016

## DIMENSIONS



## OPTICS



## TYPE OF DIFFUSER

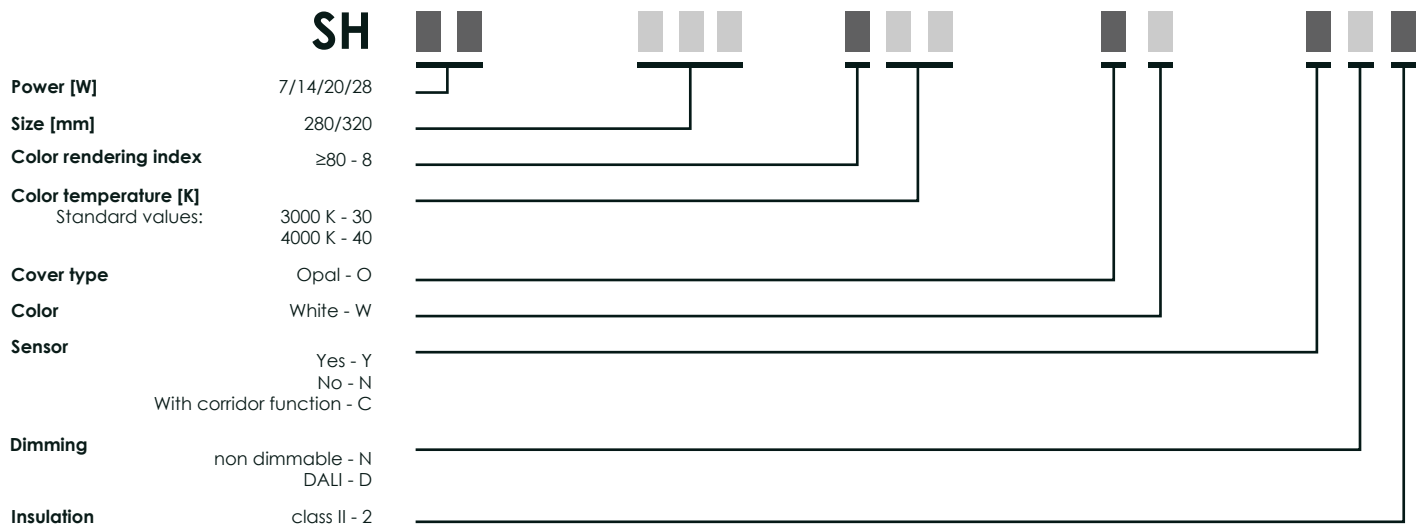
Opal

# TECHNICAL INFORMATION

|   |   |
|---|---|
| <b>Voltage</b>                                  | 220 ... 240 V   |
| <b>Frequency</b>                                | 50 Hz   |
| <b>Power</b>                                    | 7...28 W  |
| <b>Luminous flux</b>                            | 745...2860 lm   |
| <b>Luminous efficacy</b>                        | 102...110 lm/W  |
| <b>Color rendering index</b>                    | > 80  |
| <b>Correlated color temperature</b>             | 3000/4000 K   |
| <b>Chromaticity tolerance (initial MacAdam)</b> | 3   |
| <b>Power factor</b>                             | > 0,8   |
| <b>Ambient temperature</b>                      | +10 ... +40 °C  |
| <b>Ingress protection</b>                       | IP44  |
| <b>Insulation class</b>                         | Class II  |
| <b>Dimensions</b>                               | ø 280/ 320x75 mm  |
| <b>Body material</b>                            | Steel   |
| <b>Cover type</b>                               | Opal  |
| <b>Dimming</b>                                  | DALI  |
| <b>Service life</b>                             | ND - 30 000 h (L80B10) at Ta = 25°C<br>DALI - 100 000 h (L80B10) at Ta = 25°C |
| <b>Warranty</b>                                 | 3...5 years   |

Technical parameters for final product can differ from typical data by 10% due to special conditions of LED manufacturing processes.

# MODEL NAME PRINCIPLES



\* OTHER CODES CAN BE GENERATED AFTER CUSTOMER REQUEST!