

VIZULO



LATANA

2017

CE RoHS

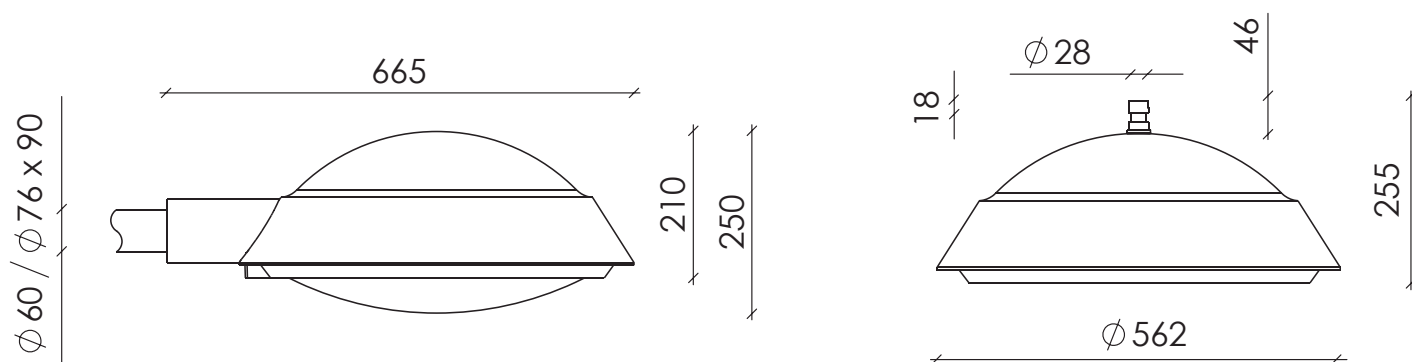


COLOR OPTIONS

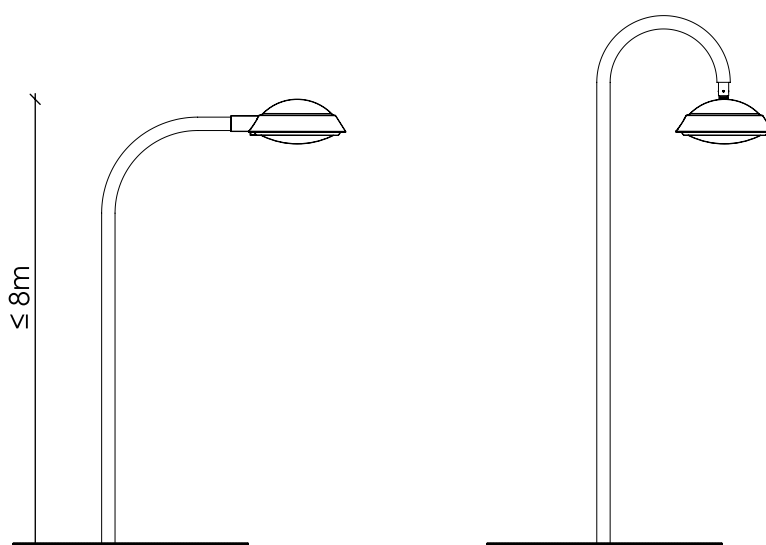
RAL9005

OTHER COLORS
AVAILABLE ON REQUEST

DIMENSIONS



CONSOLE DIMENSIONS



TECHNICAL INFORMATION

STANDARD MODULES

Voltage, V	220-240					
Frequency, Hz	50-60					
	4000 K					
Number of LED's	16			32		
Nominal current, mA	270	520	730	370	520	700
Power, W	15	27	37	37	51	70
Luminous Flux, Lm	1820	3300	4430	4840	6560	8600
Efficacy, Lm/W	121	122	120	131	129	123
Power factor, PF	0,85	0,95	0,97	0,95	0,97	0,97
Color temperature, K	3000/4000 ⁽¹⁾					
Working temperature, °C	-40°C to +50°C					
CRI	Ra > 70, Ra > 80 (optional) ⁽²⁾					
Protection class	IP54					
Impact resistance class	IK08					
Safety class	I and II					
Intelligent light control system	Radio frequency ⁽³⁾					
Body material	Aluminium					
Dimming	1-10V, DALI, Midnight dimming					
Surge protection, kV	6kV (L-N) and 10 kV (L/N -PE without DALI connection) ⁽⁴⁾					
Warranty, years	5					
Service Life, h	70 000 h (L90B10) ⁽⁵⁾					
Luminaire efficacy	3000 K	15 - 70 W		1760 - 8320 lm	116 - 126 lm/W	
	4000 K	15 - 70 W		1820 - 8600 lm	120 - 131 lm/W	
	5000 K	15 - 70 W		1820 - 8600 lm	120 - 131 lm/W	

1) 5000; 5700 K available on request

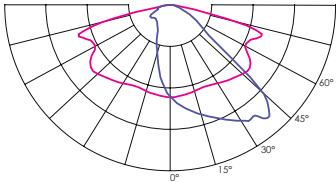
2) Luminaires with color rendering index (CRI): Ra > 80 are available according to customers special orders

3) Optional. Available only with DALI ; 1 - 10 V

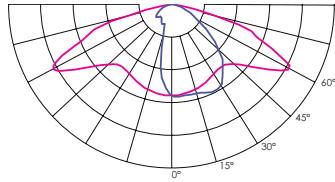
4) 10 kV (L-N; L/N-PE) surge protection device available on request

5) at Ta=25°, this value is only informative and may change according to selected article.

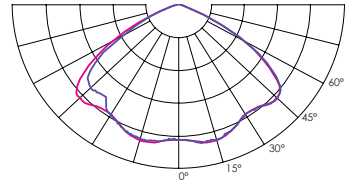
OPTIC



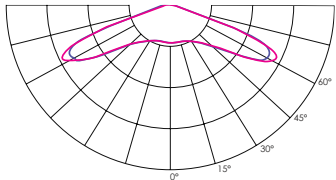
01



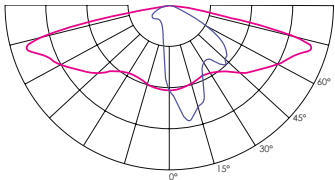
02



10



20



22

ACCESSORIES



Citintelly Segment controller

Segment Controller receives commands from Citintelly server via GSM and transmits tasks to Luminaire Controller via radio frequency communication.

Art. 70000101



Citintelly Luminaire controller

Luminaire Controller is wireless mesh-networking device that uses 868 MHz for communication with Segment Controller and other Luminaire Controllers. It is delivered in various configurations to meet the needs of your applications.

Art. 7000103



Citintelly Surge Protection device

Surge Protection device offers protection against lighting surges;

Voltage Protection level up (L-N) $\leq 1,5$ kV

Voltage Protection level up (L/N-PE) $\leq 1,8$ kV

$U_{oc} = 10$ kV

$I_{max} = 10$ kA

$I_{nom} = 5$ kA

Art.70020001



Radio Frequency Antenna

Heavy duty IP67 enclosure

Mounted in cabinet or luminaire body with 14 mm screw

SMA connector

Art.70000108



Surge Protection device

Surge Protection device offers protection against lighting surges;

Voltage Protection level up (L-N) $\leq 1,5$ kV

Voltage Protection level up (L/N-PE) $\leq 2,0$ kV

$U_{oc} = 10$ kV

$I_{max} = 10$ kA

$I_{nom} = 5$ kA

Art.70000203



Connector

10m cable with IP66 rated connector offers easy installation of the street luminaires.

3 wire cable connector

Art.70000313



Connector

10m cable with IP66 rated connector offers easy installation of the street luminaires.

5 wire cable connector

Art.70000315



Pre-installed cable sets

Pre-installed cables sets in the luminaire
Diameter of the cable:

3 x 1,5 mm - 0,5 m lenght	Art. 70000319
3 x 1,5 mm - 5 m lenght	Art. 70000320
3 x 1,5 mm - 6 m lenght	Art. 70000321
3 x 1,5 mm - 8 m lenght	Art. 70000322
3 x 1,5 mm - 10 m lenght	Art. 70000323
3 x 1,5 mm - 12 m lenght	Art. 70000324
3 x 1,5 mm - 18 m lenght	Art. 70000325



Pre-installed cable sets

Pre-installed cables sets in the luminaire
Diameter of the cable:

5 x 1,5 mm - 0,5 m lenght	Art. 70000305
5 x 1,5 mm - 5 m lenght	Art. 70000316
5 x 1,5 mm - 6 m lenght	Art. 70000317
5 x 1,5 mm - 8 m lenght	Art. 70000318
5 x 1,5 mm - 10 m lenght	Art. 70000306
5 x 1,5 mm - 12 m lenght	Art. 70000307
5 x 1,5 mm - 18 m lenght	Art. 70000308



Connection cable

Male - free end, length 1m, RST20i3, 3 pole, 250V, 16A, cable type H05VV, cross section 1,5mm²
Art. 70000363



Console

Art.70054001



Console adapter

Spigot size 60 - 76 mm
Art.70044002



Wall mounting bracket

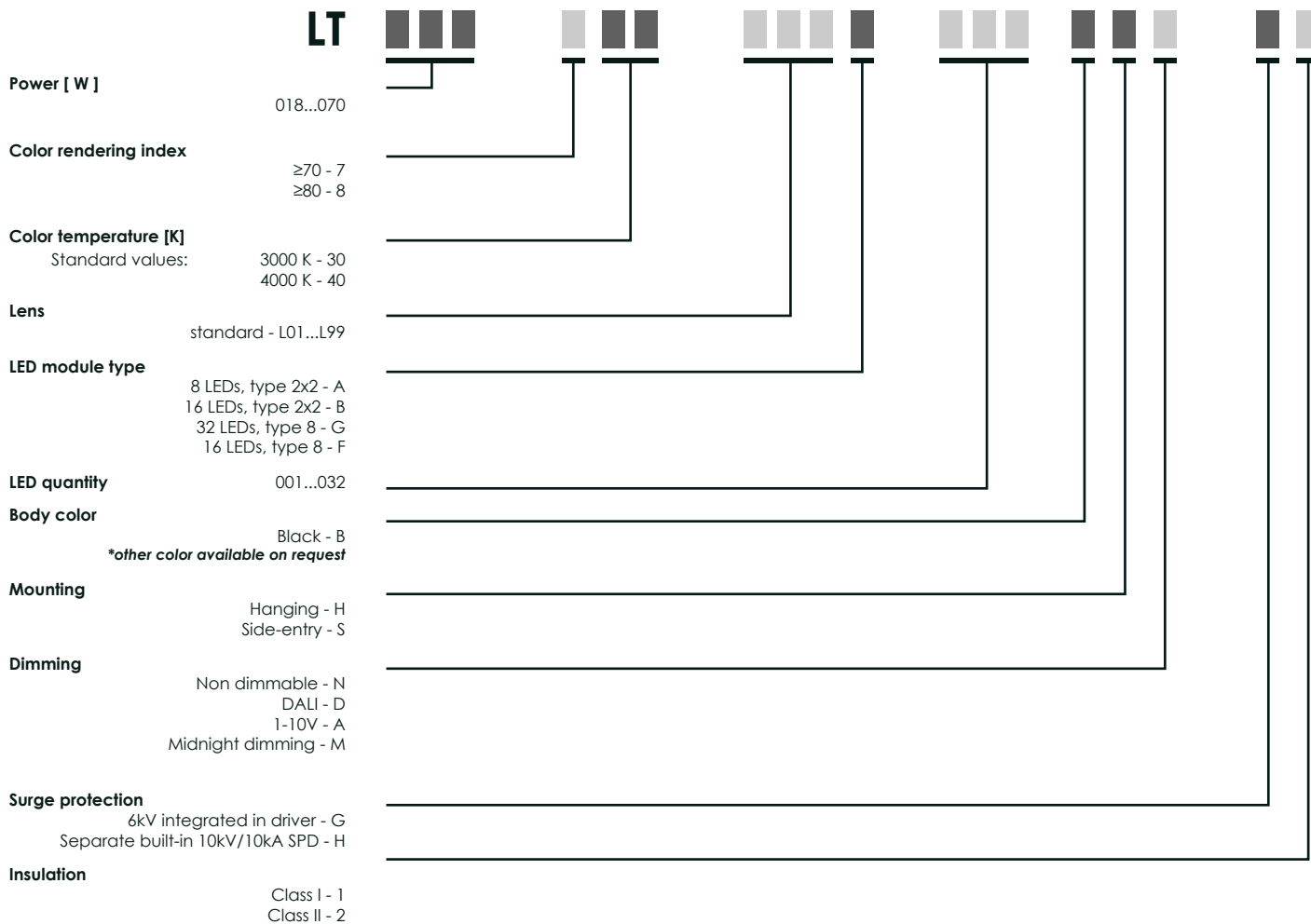
Spigot size 40 - 60 mm
Art.70044001



Wall mounting bracket

Vertical
Art.70044004

MODEL NAME PRINCIPLES



* OTHER CODES CAN BE GENERATED AFTER CUSTOMER REQUEST!