

VIZULO



MIDI MARTIN

2017

CE RoHS

ABOUT

Traffic roads - Residential Street/Area,
 Architectural & Landscape, Sports Lighting,
 Large Outdoor Industrial Area - Agricultural Area

Ventilation cable gland

combines pressure equalization and cable gland in a single unit. It ensures high air flow rates as well as high water protection capacity

Impact resistance

IK08 (Vandal protected) for the complete luminaire

Glass

Flat glass. Glass is fixed to die-cast aluminium frame with screws

LED module

High quality LED's with optimal thermal resistance and energy consumption characteristic, for high lumen output and long expected life time. Color temperature available: 3000K, 4000K (5000K, 5700K available on customer request)



Module temperature control

The LED driver will start reducing the light output when the LED's approach critical temperature. The temperature is measured via a sensor placed on the PCB (function available on customer request)

Body

Die-cast aluminium

Lighting protection

Built-in surge protection starting from 6 kV till 10 kV

Light regulation

MIDI MARTIN drivers offer integrated midnight dimming and network-controlled 1-10V and DALI protocols

Protection

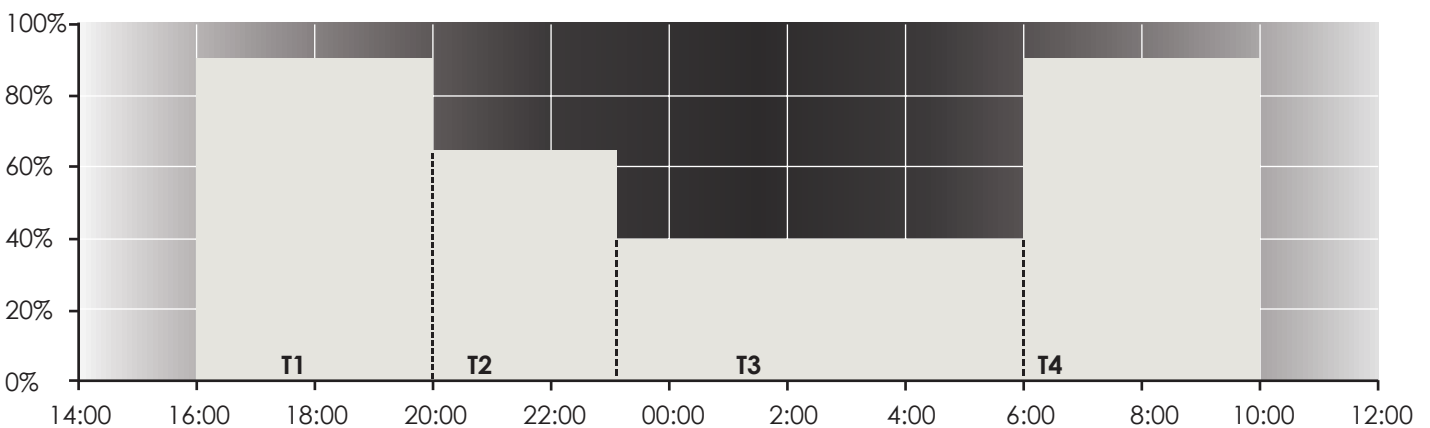
IP66 for the complete luminaire

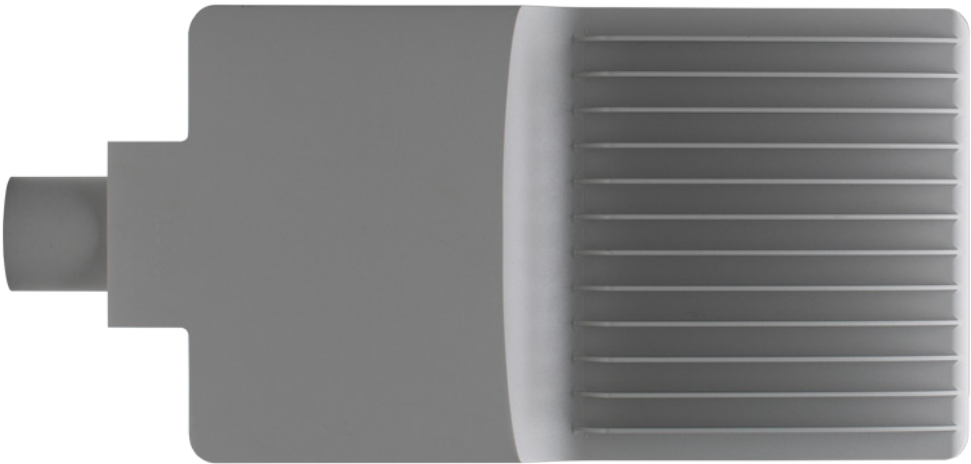
Intelligent light control system

Power line or radio frequency

MIDNIGHT DIMMING

Integrated midnight dimming lighting control allows pre-programmed multi-level dimming. Lower light levels during off-peak hours, gives considerable savings in energy cost.



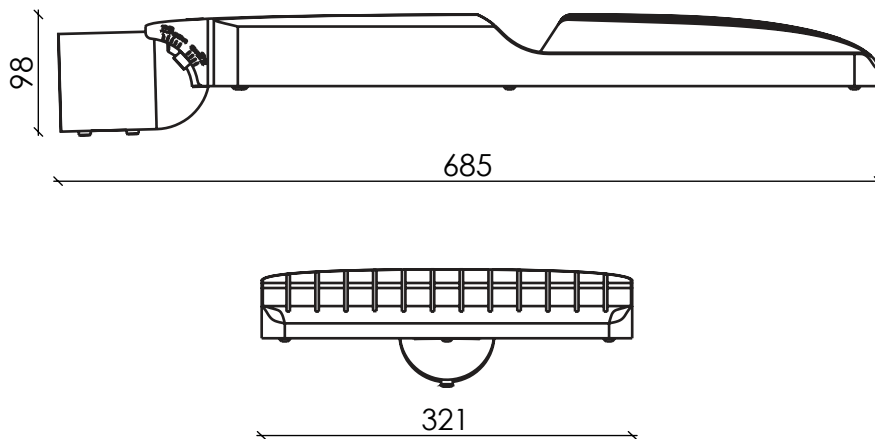


COLOR OPTIONS

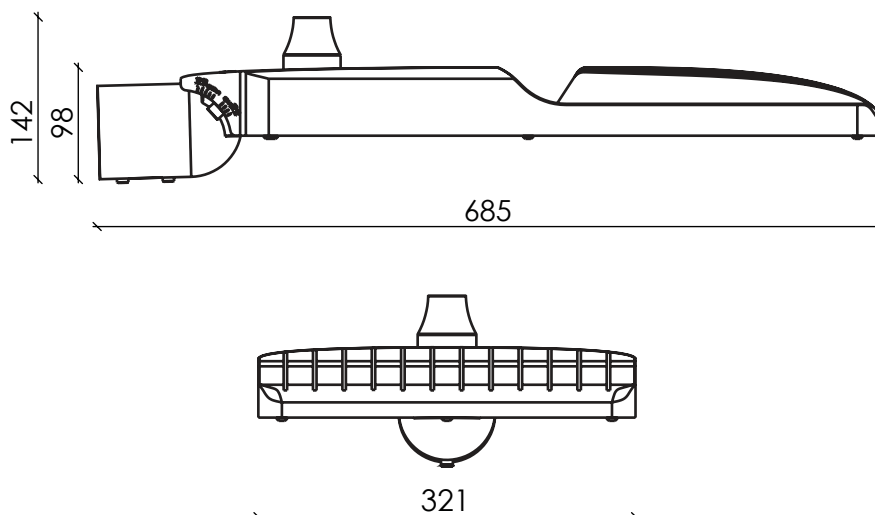


OTHER COLORS
AVAILABLE ON REQUEST

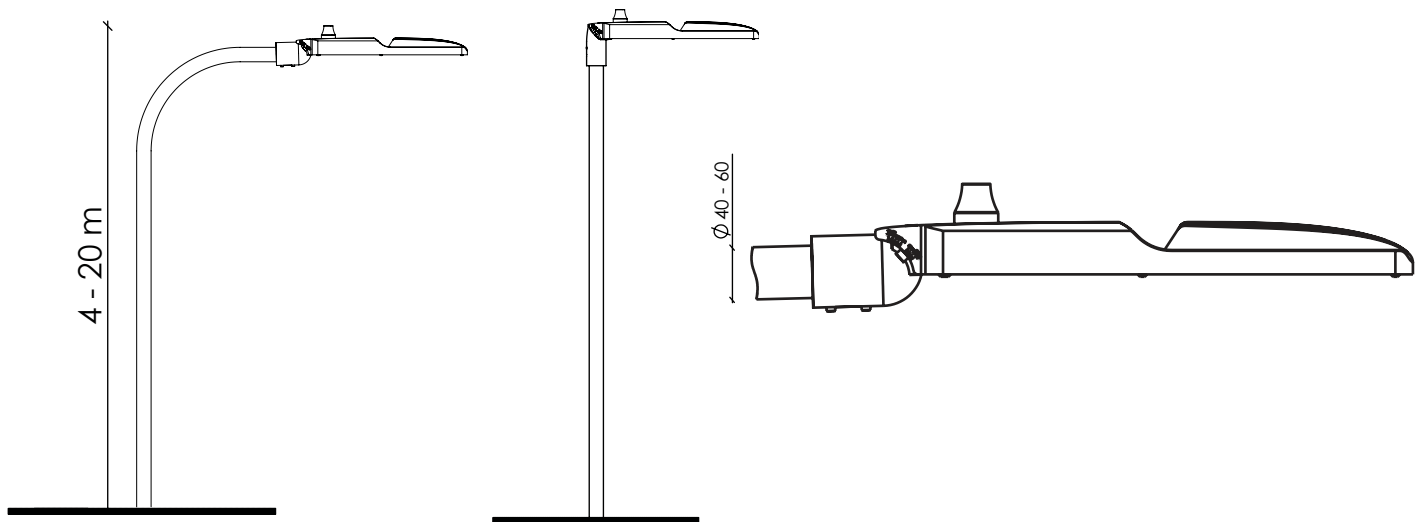
DIMENSIONS



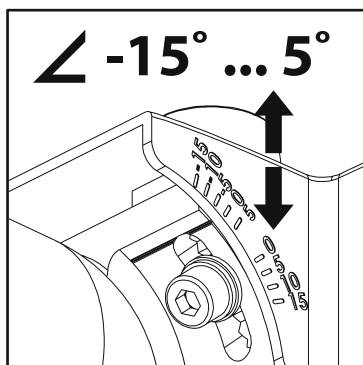
DIMENSIONS WITH RF ANTENNA



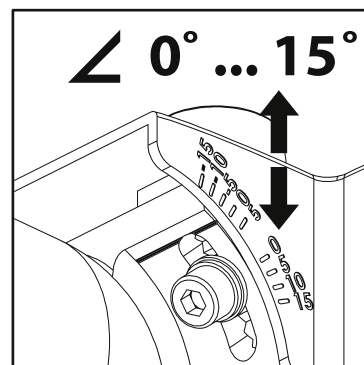
CONSOLE DIMENSIONS



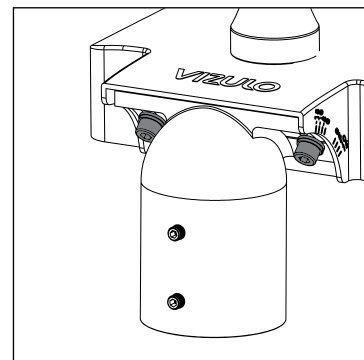
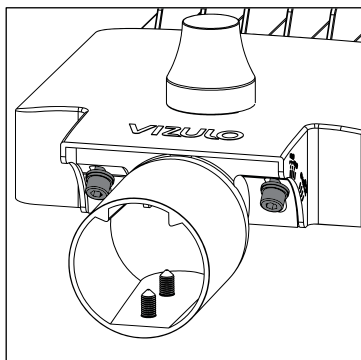
ANGLE POSITION DIMENSIONS



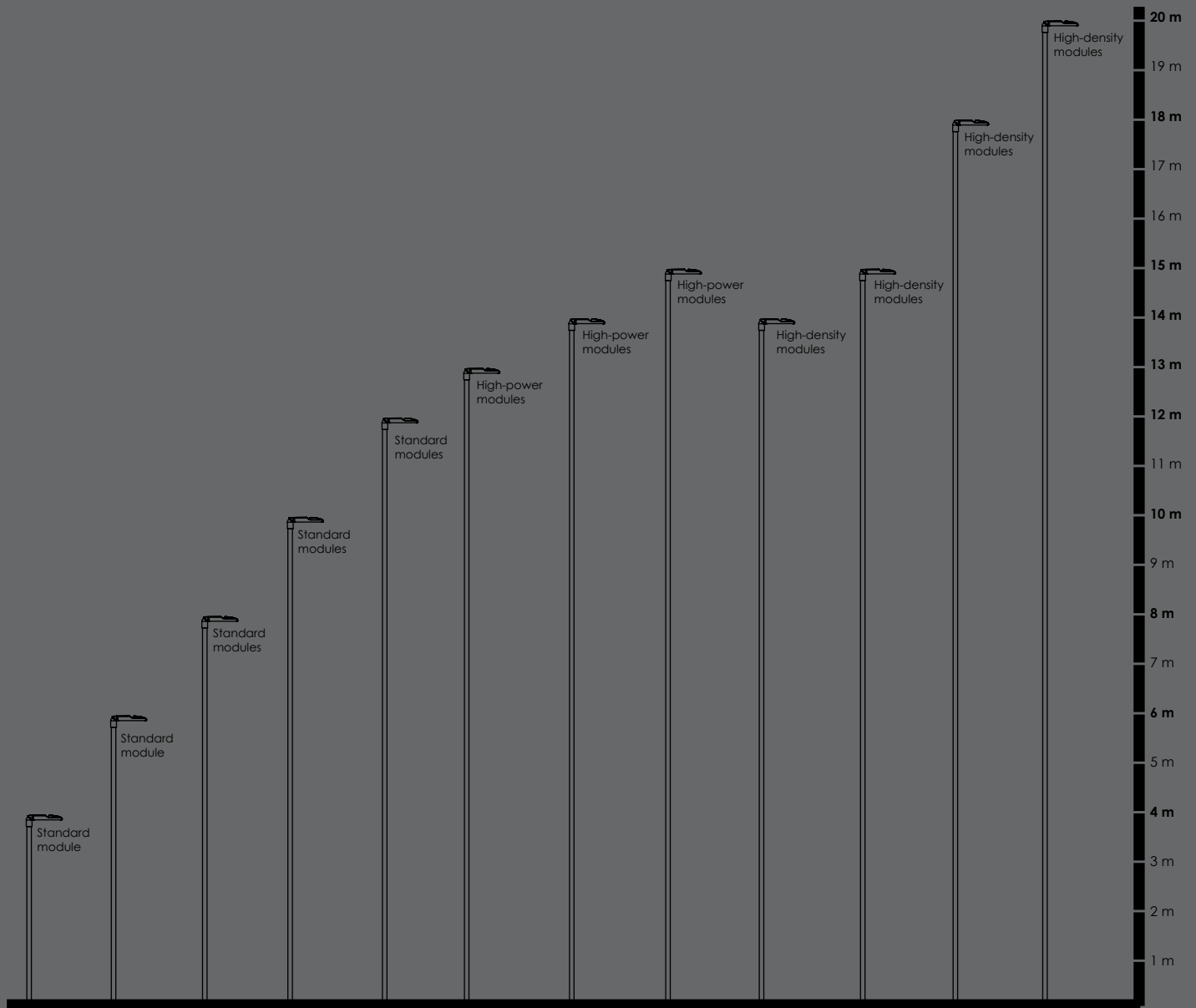
HORIZONTAL ENTRY



VERTICAL ENTRY



POLE HEIGHT PROPOSITION



Pole height	4 m	6 - 8 m	8 - 10 m	10 m	12 m	12 - 14 m	14 - 16 m	14 - 18 m	14 - 16 m	14 - 18 m	16 - 20 m	18 - 20 m
Standard modules	18 W	37 W	68 W	102 W	137 W							
High - power modules						160 W	182 W	200 W				
High - density modules									170 W	205 W	240 W	250 W

TECHNICAL INFORMATION

STANDARD MODULES

Voltage, V	220-240														
Frequency, Hz	50-60														
	4000 K														
Number of LED's	16			32			48			64			80		
Nominal current, mA	350	500	700	350	500	700	350	500	700	350	500	700	350	500	700
Power, W	18	27	36	37	50	68	51	73	102	69	97	137	85	120	168
Luminous Flux, Lm	2130	3120	4100	4600	6200	8070	6620	9130	12160	8990	12250	16400	11150	15260	20190
Efficacy, Lm/W	118	115	114	124	124	119	129	125	119	130	122	116	131	127	120
Power factor, PF	0.89	0.95	0.97	0.95	0.97	0.97	0.96	0.97	0.98	0.93	0.96	0.98	0.95	0.97	0.98
Color temperature, K	3000/4000 ⁽¹⁾														
Working temperature, °C	-40°C to +50°C														
CRI	Ra>70 ⁽²⁾														
Protection class	IP66														
Impact resistance class	IK08														
Safety class	I and II														
Intelligent light control system	Radio frequency ⁽³⁾														
Body material	Die-cast aluminum														
Dimming	1-10V, DALI, Midnight dimming														
Surge protection, kV	6; 10 kV (optional) ⁽⁴⁾														
Spigot, mm	ø 40-60, with accessories ø 32; ø 76														
Warranty, years	3														
Service Life, h	100 000 h (L90B10C10) ⁽⁵⁾														
Luminaire efficacy	3000 K			18 - 168 W			2050 - 19500 lm			111 - 126 lm/W					
	4000 K			18 - 168 W			2130 - 20190 lm			114 - 131 lm/W					
	5000 K			18 - 168 W			2200 - 20890 lm			119 - 136 lm/W					

1) 5000; 5700 K available on request

2) Luminaires with color rendering index (CRI): Ra > 80 are available according to customers special orders

3) Optional. Available only with DALI ; 1 - 10 V

4) 10 kV (L-N; L/N-PE) surge protection device available on request

5) at Ta=25°, this value is only informative and may change according to selected article.

TECHNICAL INFORMATION

HIGH DENSITY MODULES

Voltage, V 220-240

Frequency, Hz 50-60

4000 K

Number of LED's	32			64			80			96			128		
Nominal current, mA	350	500	700	350	500	700	350	500	700	350	500	700	350	500	700
Power, W	37	50	68	69	97	137	85	120	168	105	147	202	135	191	250
Luminous Flux, Lm	4600	6200	8070	8990	12250	16400	11150	15260	20190	13420	18250	24120	17520	24040	30360
Efficacy, Lm/W	124	124	119	130	126	119	131	127	120	128	124	119	130	126	121
Power factor, PF	0,95	0,97	0,97	0,93	0,96	0,98	0,95	0,97	0,98	0,90	0,94	0,96	0,95	0,97	0,98
Color temperature, K	3000/4000 ⁽¹⁾														
Working temperature, °C	-40°C to +50°C														
CRI	Ra>70 ⁽²⁾														
Protection class	IP66														
Impact resistance class	IK08														
Safety class	I and II														
Intelligent light control system	Radio frequency ⁽³⁾														
Body material	Die-cast aluminum														
Dimming	1-10V, DALI, Midnight dimming														
Surge protection, kV	6; 10 kV (optional) ⁽⁴⁾														
Spigot, mm	ø 40-60, with accessories ø 32; ø 76														
Warranty, years	3														
Service Life, h	100 000 h (L90B10C10) ⁽⁵⁾														
Luminaire efficacy	3000 K			37 - 250 W			4440 - 29320 lm			114 - 127 lm/W					
	4000 K			37 - 250 W			4600 - 30360 lm			119 - 131 lm/W					
	5000 K			37 - 250 W			4750 - 31410 lm			123 - 135 lm/W					

1) 5000; 5700 K available on request

2) Luminaries with color rendering index (CRI): Ra > 80 and Ra > 90 are available according to customers special orders

3) Optional. Available only with DALI ; 1 - 10 V

4) 10 kV (L-N; L/N-PE) surge protection device available on request

5) at Ta=25°C, this value is only informative and may change according to selected article

* ONLY WITH OPTIC 04/ 05/ 20/ 22

Last modified
2017, 15 May
 Data subject to chance

ACCESSORIES



Citintelly Segment controller

Segment Controller receives commands from Citintelly server via GSM and transmits tasks to Luminaire Controller via radio frequency communication.

Art. 70000101



Citintelly Luminaire controller

Luminaire Controller is wireless mesh-networking device that uses 868 MHz for communication with Segment Controller and other Luminaire Controllers. It is delivered in various configurations to meet the needs of your applications.

Art. 7000103



Citintelly Surge Protection device

Surge Protection device offers protection against lighting surges;

Voltage Protection level up (L-N) $\leq 1,5$ kV

Voltage Protection level up (L/N-PE) $\leq 1,8$ kV

$U_{oc} = 10$ kV

$I_{max} = 10$ kA

$I_{nom} = 5$ kA

Art.70020001



Radio Frequency Antenna

Heavy duty IP67 enclosure

Mounted in cabinet or luminaire body with 14 mm screw

SMA connector

Art.70000108



Surge Protection device

Surge Protection device offers protection against lighting surges;

Voltage Protection level up (L-N) $\leq 1,5$ kV

Voltage Protection level up (L/N-PE) $\leq 2,0$ kV

$U_{oc} = 10$ kV

$I_{max} = 10$ kA

$I_{nom} = 5$ kA

Art.70000203



Console adapter

Spigot size 60 - 76 mm

Art.70044002



Wall mounting bracket

Spigot size 40 - 60 mm

Art.70044001



Wall mounting bracket

Vertical

Art.70044004



NEMA Socket

2213362-3, 5 pin NEMA socket 105°C wires
2213362-4, 7 pin NEMA socket 105°C wires

Art. 70000362
Art. 70000333



Dummy Link for NEMA Socket

Art. 70000113



Connector

10m cable with IP66 rated connector offers easy installation of the street luminaires.

3 wire cable connector
Art.70000313



Connector

10m cable with IP66 rated connector offers easy installation of the street luminaires.

5 wire cable connector
Art.70000315



Pre-installed cable sets

Pre-installed cables sets in the luminaire
Diameter of the cable:

- 3 x 1,5 mm - 0,5 m length Art. 70000319
- 3 x 1,5 mm - 5 m length Art. 70000320
- 3 x 1,5 mm - 6 m length Art. 70000321
- 3 x 1,5 mm - 8 m length Art. 70000322
- 3 x 1,5 mm - 10 m length Art. 70000323
- 3 x 1,5 mm - 12 m length Art. 70000324
- 3 x 1,5 mm - 18 m length Art. 70000325

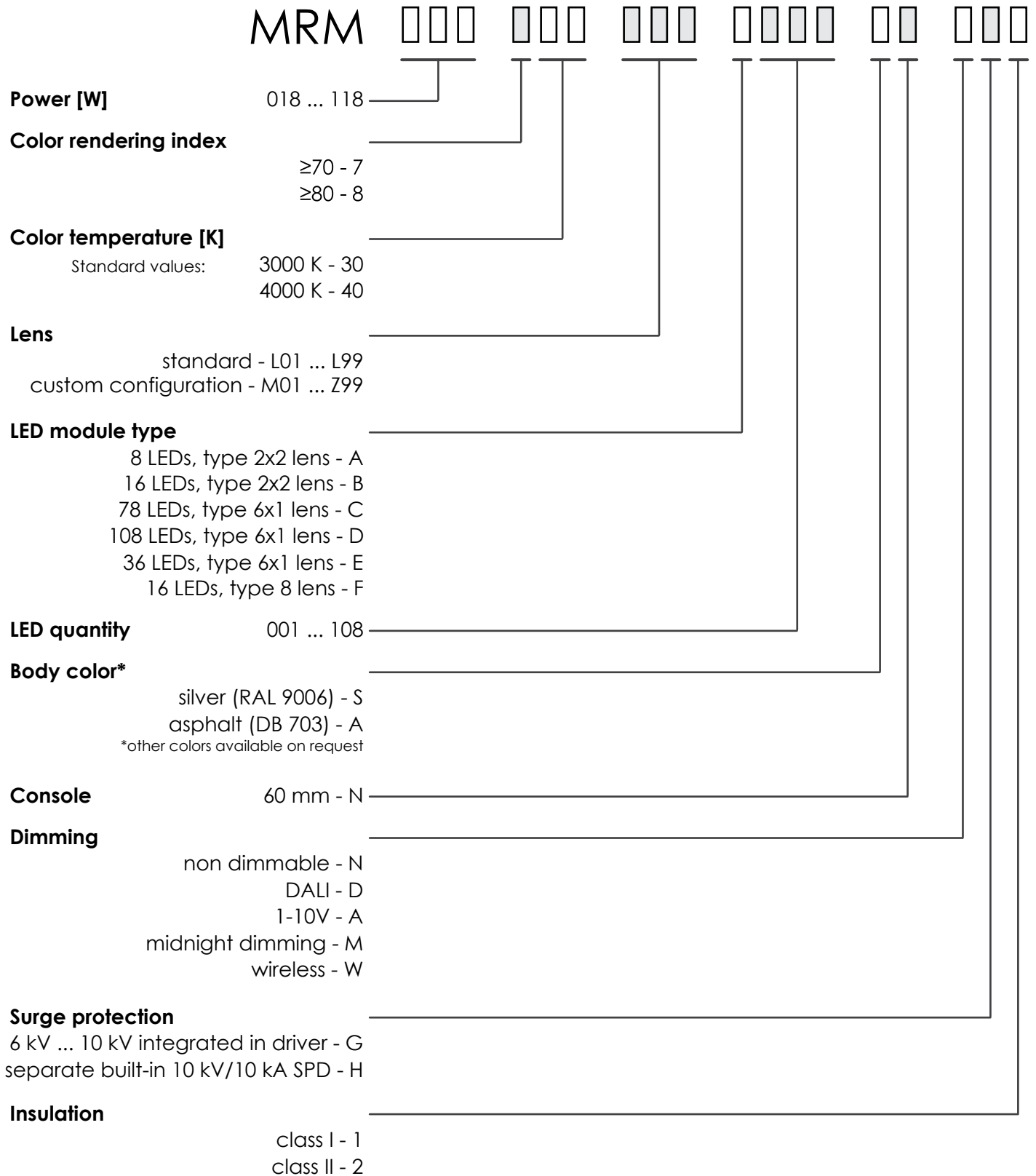


Pre-installed cable sets

Pre-installed cables sets in the luminaire
Diameter of the cable:

- 5 x 1,5 mm - 0,5 m length Art. 70000305
- 5 x 1,5 mm - 5 m length Art. 70000316
- 5 x 1,5 mm - 6 m length Art. 70000317
- 5 x 1,5 mm - 8 m length Art. 70000318
- 5 x 1,5 mm - 10 m length Art. 70000306
- 5 x 1,5 mm - 12 m length Art. 70000307
- 5 x 1,5 mm - 18 m length Art. 70000308

MODEL NAME PRINCIPLES



* OTHER CODES CAN BE GENERATED AFTER CUSTOMER REQUEST!