



GA-2020 CASA

- Lival innovation – ECG fitted inside the adapter
 - Good light in small form factor

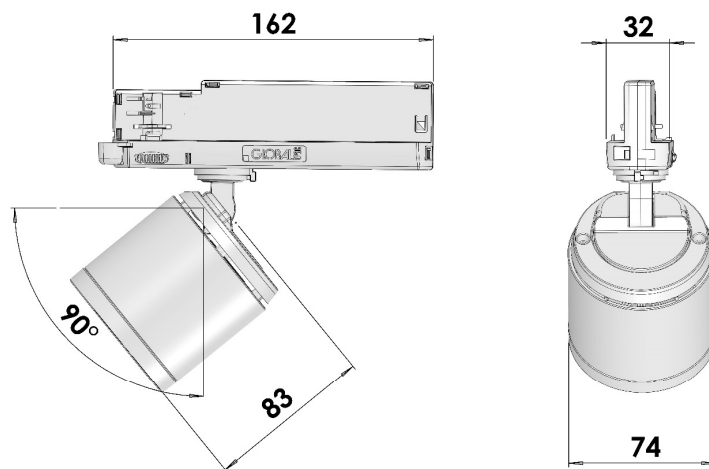
GA-2020 CASA

Input Power	LED-Module	Color Consistency	Installation Type	Material	Warranty	Beam Angles	Luminaire Color
220 – 240V	CRI 80+ 3000K, 4000K, 5000K	MacAdam 3-Step	NoA & Most 3-phase Tracks	Powder Painted Die-Cast Aluminum	50 000h Or 5 Years	1206 COB: S 15°	White (RAL 9016)
	NFL 21°					Silver (Ca. RAL 9006)	
	FL 32° WFL 46°					Black (RAL 9005)	

Output Current /
Module Wattage /
System Wattage:

LED Module: Citizen CLU038-1206 5Gen – COB Luminous flux:

	CRI 80+ 3 000K	CRI 80+ 4 000K	CRI 80+ 5 000K	CRI 90+ 2 700K Below BBL	CRI 90+ 3 000K Below BBL	CRI 90+ 3 500K Below BBL	CRI 90+ 4 000K
300mA / 10W / 11W	1 650Lm	1 700Lm	1 725Lm	1 250Lm	1 300Lm	1 325Lm	1 400Lm
350mA / 12W / 14W	1 900Lm	1 950Lm	2 000Lm	1 425Lm	1 500Lm	1 525Lm	1 625Lm
400mA / 14W / 16W	2 150Lm	2 200Lm	2 250Lm	1 625Lm	1 675Lm	1 725Lm	1 825Lm
440mA / 15W / 17W	2 325Lm	2 400Lm	2 450Lm	1 750Lm	1 825Lm	1 875Lm	2 000Lm



IP20

LED Design | Made In Finland

LIVAL