

LED Energy Smart™ GU10 & R50 Dimmable

3.5W & 5.5W replacement for 35W & 50W



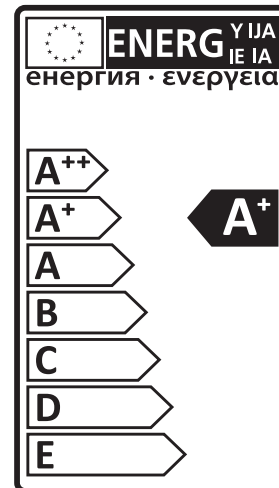
DATA SHEET

Product information

This new range of LED GU10 & R50 Dimmable provides a high quality replacement solution for halogen 35W & 50W. The COB design enables a premium halogen look for improved aesthetics in a mainstream product as well as up to 90% energy saving.

Features & benefits

- Total lumens: up to 270 (3.5W) and up to 420 (5.5W)
- Three colour temperatures: 2700K, 3000K, 4000K
- Long lifetime of 25000 hours (L70/B50)
- A+ Energy Class
- Dimmable
- New Chip On Board design



Applications areas



Hospitality



Retail



Home

Standards

- EN 55015: Limits and methods of measurement of radio disturbance characteristics of electrical lighting
- EN 61547: Equipment for general lighting purposed EMC immunity requirements
- EN 61000-3-2: Limits for harmonic current emissions (equipment rated current <=16A)
- EN 61000-3-3: Limitation of voltage fluctuations and flicker in low voltage supply systems (equipment rated current <=16A)
- EN 62560: Self-ballasted LED lamp for general lighting services voltage 50~250V-safety specification
- IEC 62471: Photo biological safety of lamps and lamp systems
- IEC 60061: Lamp Caps and holders together with gauges for the control of interchangeability and safety
- IEC 60630: Maximum lamp outlines for incandescent lamps
- IEC60357: Tungsten halogen lamps (non-vehicle) – Performance specifications



GE imagination at work

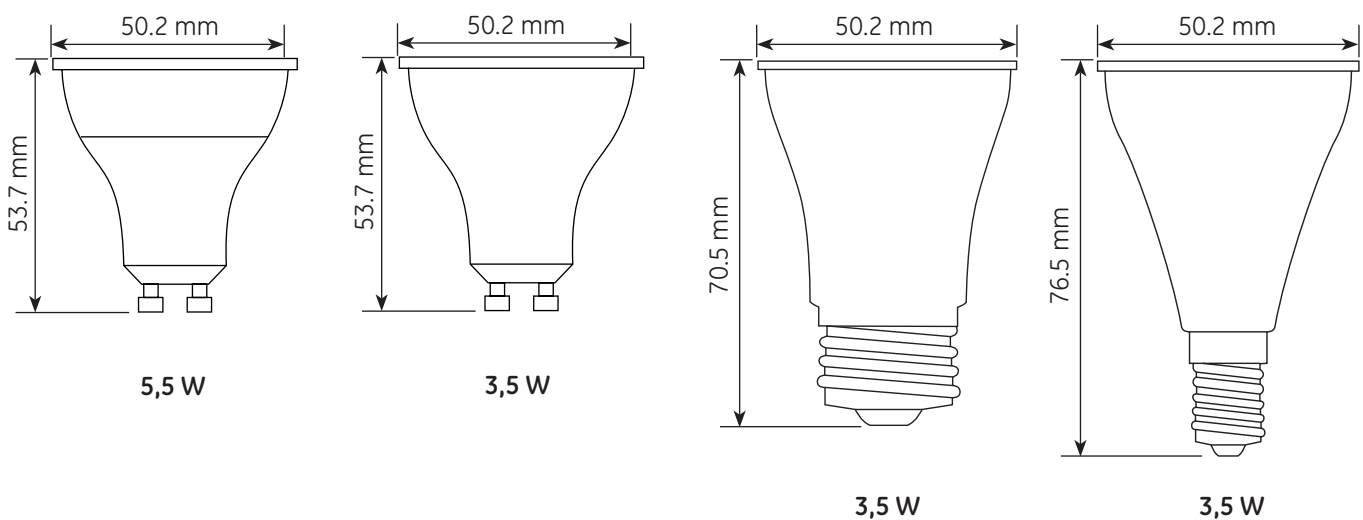
Specification summary

Type	Rated Power (W)	Base	CCT (K)	Total Lumens (lm)	DIM2 Lumen	Rated Angle	CBCP	Life L70 (Hrs)	EEC	Energy Consumption (kwh/100h)	Pack Qty	Product Code
GU10	3,5	GU10	2700	250	240	35°	550	25000	A+	3,50	1/8	84611
GU10	3,5	GU10	3000	260	250	35°	550	25000	A+	3,50	1/8	84612
GU10	3,5	GU10	4000	270	260	35°	550	25000	A+	3,50	1/8	84615
R50	3,5	E14	2700	250	240	35°	550	25000	A+	3,50	1/8	84618
R50	3,5	E27	2700	250	240	35°	550	25000	A+	3,50	1/8	93010611
GU10	5,5	GU10	2700	380	360	35°	800	25000	A+	5,50	1/8	84619
GU10	5,5	GU10	3000	400	380	35°	800	25000	A+	5,50	1/8	84620
GU10	5,5	GU10	4000	420	400	35°	800	25000	A+	5,50	1/8	84622

Common attributes

- Colour Rendering Index >80
- Input Voltage 220-240V
- Warm up time: Instant on
- Switching Cycles: 50,000
- Power factor: >0.5 for 3.5W; >0.7 for 5.5W

Dimensions



Operation and maintenance

- Store and use the lamps the same way as traditional lamps.
- Check your fixtures are properly wired and don't deliver voltage spike to lamps causing overheating/failure.
- Ambient temperature range -20° C to 40°C
- Lamps should be kept free from contamination.
- Good condition of the lamp-holder contacts is important to ensure proper operation of lamp.
- Ensure lamp is cool before removing.
- Switch off mains supply before installing/removing lamp.
- Not for use in totally enclosed recessed fixtures.

GE LED Energy Smart™ GU10 3.5W & 5.5W lamps are dimmable on most leading edge dimmers, for more information please check our website www.gelighting.com/dimming-led.