

LED Energy Smart™ GU10 Dimmable

5.5W equivalent for 50W



DATA SHEET

Product information

This new range of LED GU10 Dimmable provides a high quality replacement solution for halogen 50W. New white housing for improved aesthetics and consistent design.

Features & Benefits

- Total lumens: up to 420
- Three colour temperatures: 2700K, 3000K, 4000K
- Long lifetime of 25000 hours (L70/B50)
- A+ Energy Class
- Dimmable
- New Design with white housing

Application areas



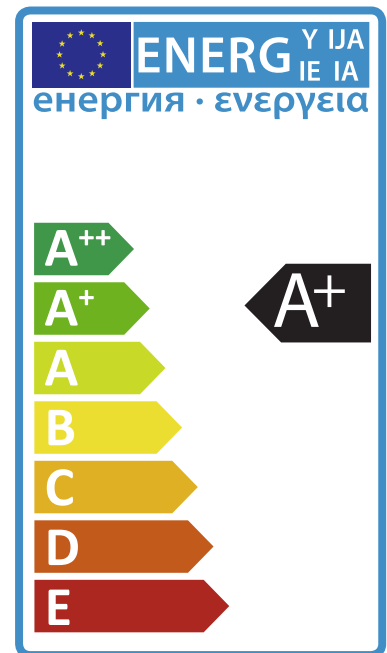
Home



Hospitality



Retail



Standards

- EN 55015: Limits and methods of measurement of radio disturbance characteristics of electrical lighting
- EN 61547: Equipment for general lighting purposed EMC immunity requirements
- EN 61000-3-2: Limits for harmonic current emissions (equipment rated current $\leq 16A$)
- EN 61000-3-3: Limitation of voltage fluctuations and flicker in low voltage supply systems (equipment rated current $\leq 16A$)
- EN 62560: Self-ballasted LED lamp for general lighting services voltage 50~250V-safety specification
- EN 62471: Photo biological safety of lamps and lamp systems
- IEC/TR 62778: 2014: Assessment of blue light hazard to light sources and luminaries
- EN 62493:2010: Assessment of lighting equipment related to human exposure to electromagnetic fields

Specification summary

Product Code	Direct Shipment Code	Product Description	Dimmable	Nominal Power (W)	Repl. Watt (W)	Nominal/ Rated Lumens (lm)	Nominal/ Rated Useful Lumens (lm)	Rated Peak Intensity (cd)	CCT (K)	WEC (kwh/1000h)	Pack Qty	Pack Type
93068474	93069944	LED ESmart GU10 50-5.5WDim 827 35°	Yes	5.5	50	380	360	700	2700	5.5	1/8	Box
93068477	-	LED ESmart GU10 50-5.5WDim 827 35° BL	Yes	5.5	50	380	360	700	2700	5.5	1/8	Blister
93068475	93069945	LED ESmart GU10 50-5.5WDim 830 35°	Yes	5.5	50	400	380	700	3000	5.5	1/8	Box
93068476	93069946	LED ESmart GU10 50-5.5WDim 840 35°	Yes	5.5	50	420	400	700	4000	5.5	1/8	Box

Common attributes

- Nominal/Rated Life (L70/B50 hours): 25 000 Hrs
- Cap/Base: GU10•Nominal/Rated Beam Angle : 35°
- Colour Rendering Index >80
- Input Voltage 220-240V
- Start-up/Warm-up time: <1sec/instant
- Switching Cycles: 100 000
- Power factor: 0.7
- Lumen Maintenance Factor: 0.7
- Colour consistency: <6 SDCM
- A+ Energy Class

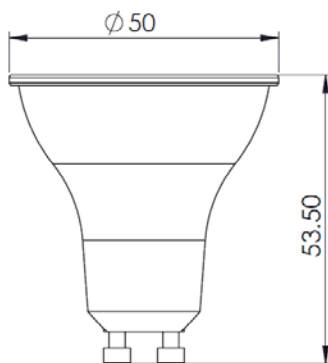
Recommended operation temperature

- Ths Max. for L70/B50 is 80°C

Thermal test point



Dimensions (mm)



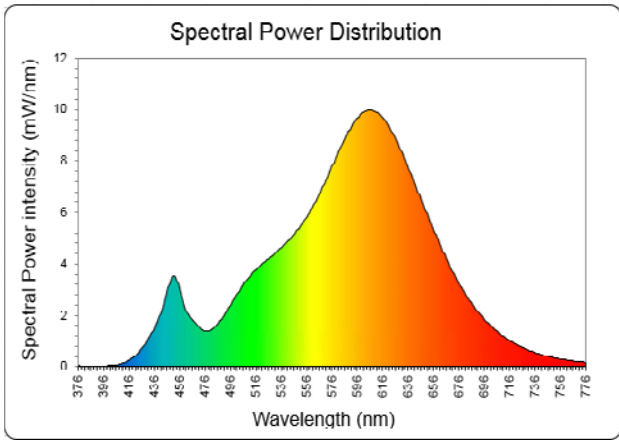
Packaging image



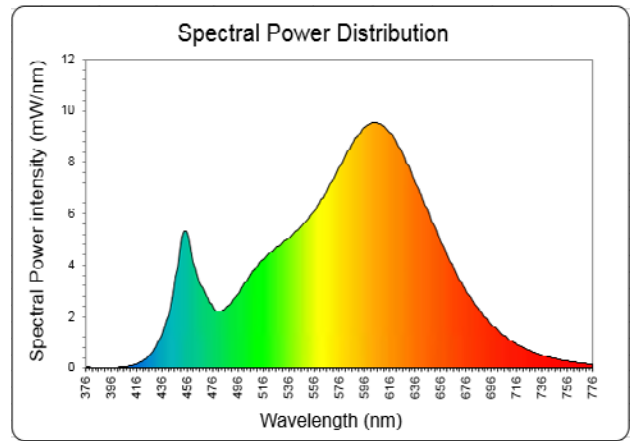
Operation and maintenance

- Store and use the lamps the same way as traditional lamps.
- Check your fixtures are properly wired and don't deliver voltage spike to lamps causing overheating/failure.
- Ambient temperature range -20° C to 40°C
- Lamps should be kept free from contamination.
- Good condition of the lamp-holder contacts is important to ensure proper operation of lamp.
- Ensure lamp is cool before removing.
- Switch off mains supply before installing/removing lamps.
- Not for use in totally enclosed recessed fixtures.

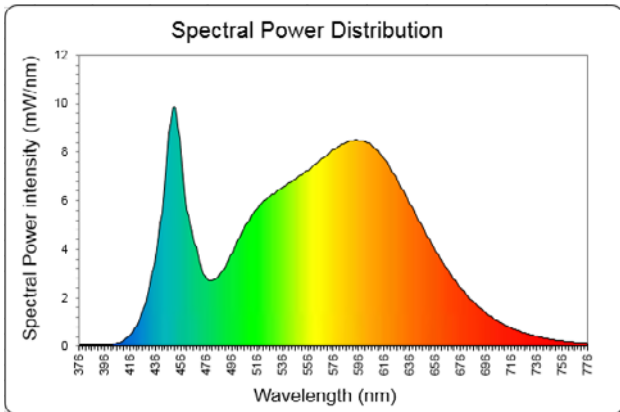
Spectral distributions



2700K



3000K



4000K

All values 180-400nm are 0

